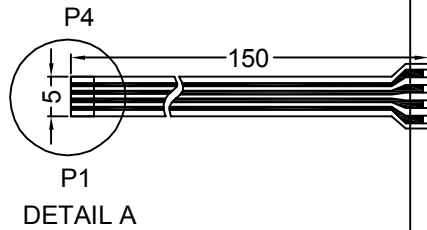
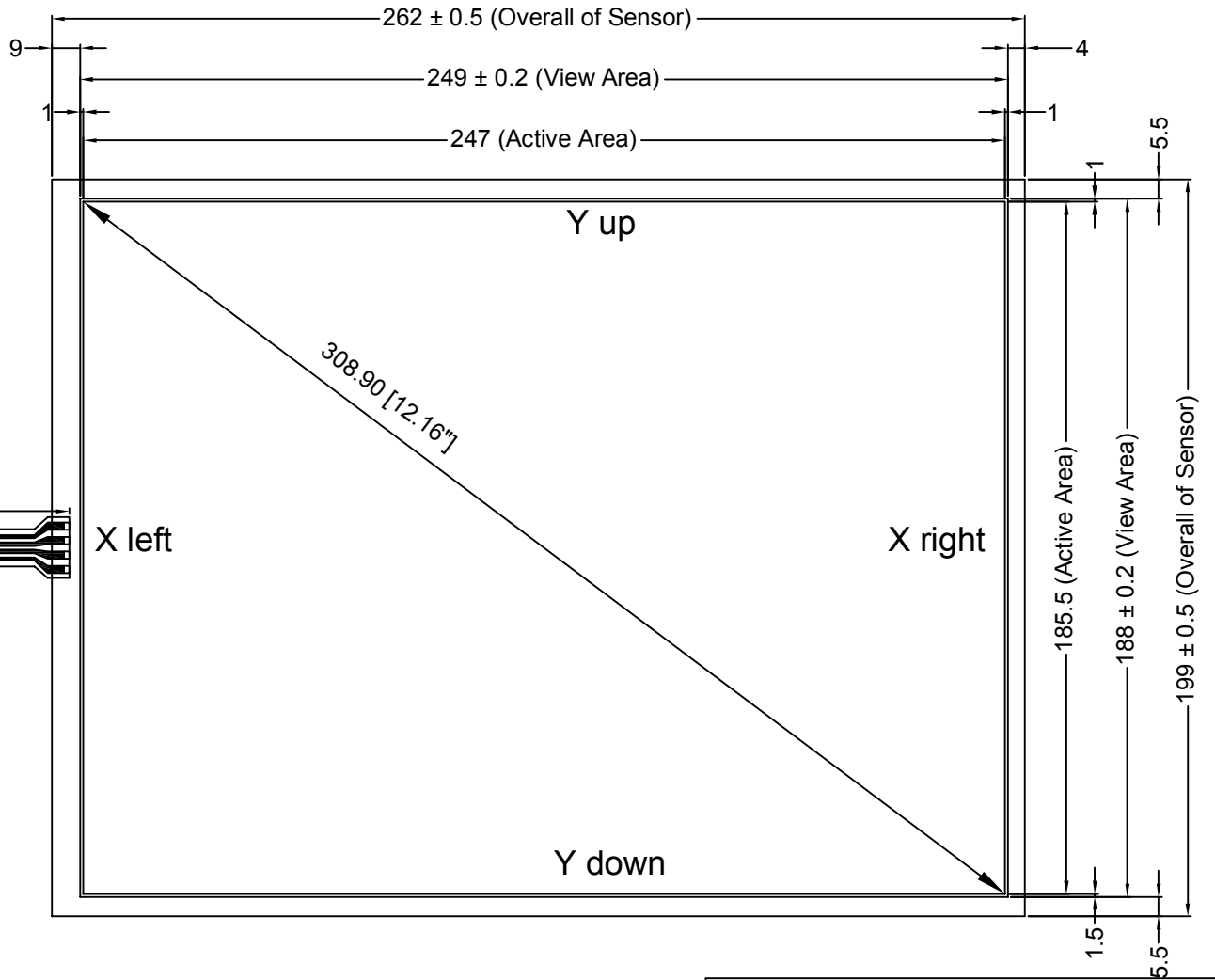
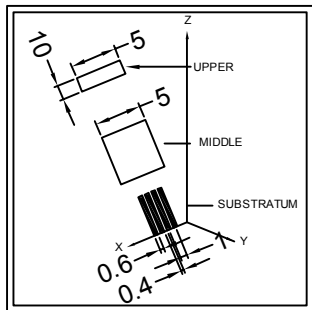


NOTE:

1. CABLE IS ATTACHED TO THE LEFT SIDE OF TOUCH PANEL AT CENTER POINT AS SHOWN.
2. FPC TAIL CONNECTOR: PITCH 1.00mm
3. ITO FILM IS ANTI-NEWTON RING TYPE.
4. FPC CONTACT AT LOWER SIDE.
5. FPC TAIL: 0.1 mm IN THICKNESS.
6. FPC CONNECTOR: 0.3 mm IN THICKNESS.



DETAIL A



P/N	COVERSHEET TYPE	GLASS THICKNESS	FINISHED PART THICKNESS
4WR1202FA6	ANTI-NEWTON RING	1.8	2.1 ± 0.2

CONNECTOR PINOUT	
PIN NO	ASSIGNMENT
1	X right
2	Y down
3	X left
4	Y up

宇鴻光電股份有限公司 ATouch Technologies Co., Ltd.		
MODEL NUMBER		4WR1202FA6
DRAWN BY	DIMENSION UNIT	ISSUE DATE
KEN JHUANG	mm	03 / 03 / 11
CHECKED BY	SCALE	REV
KAYA HO	NOT TO SCALE	E